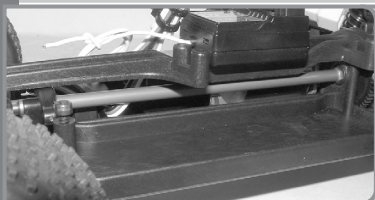


RC 18T

Instruction Manual for the Team Associated 18T/MT



18T/MT - Key Features

Full Time Shaft Drive 4WD!



Racing Ball Differentials, front and rear!



Full Ball Bearings!



"XP" Series Racing Electronics!



Oil Filled Racing Shocks!

18T/MT 4wd Mini Truck

20100: 18T RTR

Prebuilt, Ready to Run 4wd Race Truck! Includes the following options:

- Mini-Pin Racing Tires
- White Racing Dish Wheels
- Powerful Super-280 Size Motor
- Choice of Red or Blue Pre-Painted Race Truck Bodies
- Individual Servo, ESC and Receiver
- 1100mah Battery & Wall Charger

20110: 18MT RTR

Prebuilt, Ready to Run 4wd Monster Truck! Includes the following options:

- Large, AE Pattern Monster Truck Tires
- Chrome Monster Truck Wheels
- Hi-Torque Super-370 Size Motor
- American Flag-Design Monster Truck Body
- Individual Servo, ESC and Receiver
- Bed-Mounted AE-Logo Flag
- 1100mah Battery & Wall Charger

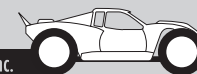
20102: 18T Factory Team Kit

Unbuilt kit with no electronics. Includes the following Factory Team hop-ups:

- Blue Aluminum Dogbones
- Blue Aluminum Finned Motor Mount
- Carbide Differential Balls
- Blue Woven Graphite Battery Strap
- Blue Aluminum Threaded Shocks
- Blue Aluminum Wheelnuts
- Titanium Turnbuckles
- Clear Body, Decals & Window Masks
- Includes Extra Hitec Servo Saver
- Includes a 12t, 13t & 14t Pinion

Chassis Specs

	18T	18MT
Length:	218mm	225mm
Width:	182mm	188mm
Wheelbase:	154mm	154mm
Internal Gear Ratio:	2.5:1	2.5:1
Weight:	540g (with body)	605g (with body)
Drivetrain:	Shaft drive	Shaft drive



Thank you for selecting this Team Associated model.

Team Associated wants you to enjoy the driving and maintaining of your new model. If you come across any problems or need help with the maintenance of your model, please give us a call and we will do our very best to help you.

The RTR

Your new vehicle comes factory assembled with radio gear and battery. You will need to purchase AA batteries for your radio. Please see the Quick Start Guide for installing your AA batteries.

The Manual

Examine each step carefully before building. Special notes for each step will be marked with a ▼.

Certain steps will notate left and right sides of the vehicle. For assembly, the left side of the vehicle is the 'driver' side of the car...it would be built as if you are sitting in the driver's seat.

Customer Support

Tel: 714.850.9342

Fax: 714.850.1744

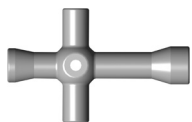
Hours: 8:00am - 4:00pm, pst

<http://www.rc10.com>

<http://www.TeamAssociated.com>



recommended tools for assembly and maintenance



4-way wrench
(included)



hex wrench, 1.5mm, 3/32"
(included)



#1 Phillips screwdriver

items required to operate your vehicle



8 AA size batteries

recommended servo list

using kit mount:

XP C1016

ACE C1016

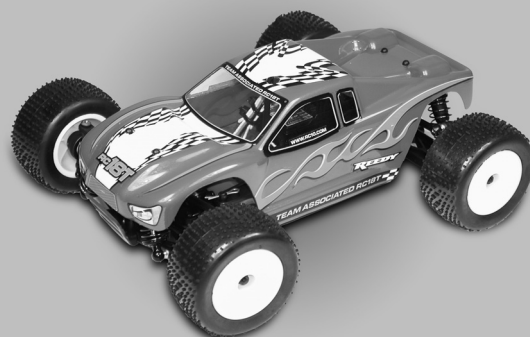
Airtronics 94091

Futaba S3106

using optional mount

(part # 21049, included in Factory Team kit):

Hitec HS-56HB



► Bag A - Step 1



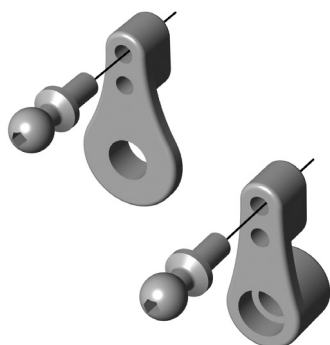
21041, qty 1
servo saver



21050, qty 1
steering bellcrank



21082, qty 2
ball stud, 5mm



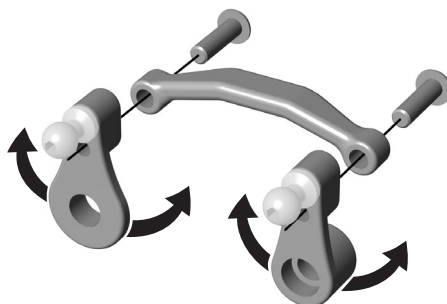
► Step 2



21041, qty 2
M2.5 x 9 bhps



21050, qty 1
steering drag link



▼ should be 'free' movement

► Step 3



21041, qty 1
M2.0 x 9 bhps
XP/Futaba



21041, qty 1
servo saver
bushing
XP/Futaba



21041, qty 1
servo saver spring



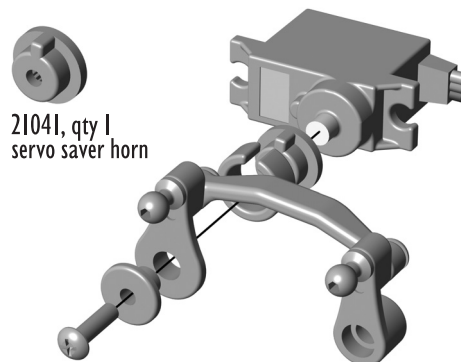
21041, qty 2
M2.5 x 9 bhps
Sanwa/Airtronics



21049, qty 1
aluminum servo saver bushing
Hitec/Sanwa/Airtronics



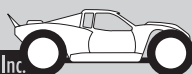
21041, qty 1
servo saver horn



▼ if you are using a Hitec HS-56 servo, please refer to the Hitec servo saver bag for detailed instructions on installing the Hitec servo saver assembly (FT Kit only)

Associated Electrics, Inc.

3585 Cadillac Ave.
Costa Mesa, CA 92626 USA



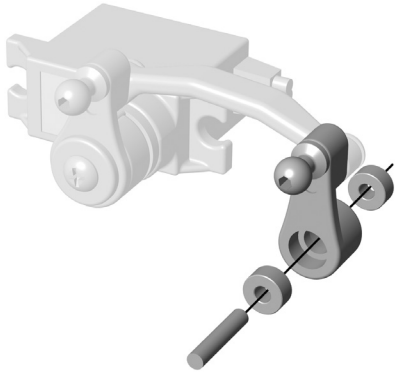
▶ Step 4



21050, qty 2
steering bellcrank
bushing



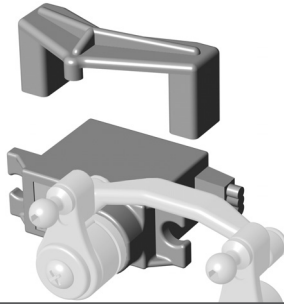
21050, qty 1
steering bellcrank
hinge pin



▶ Step 5



21040, qty 1
servo mount



! if you are using a Hitec HS-56 servo,
please refer to the Hitec servo bag
for detailed instructions on installing the
servo with the Hitec mount

▶ Bag B - Step 1

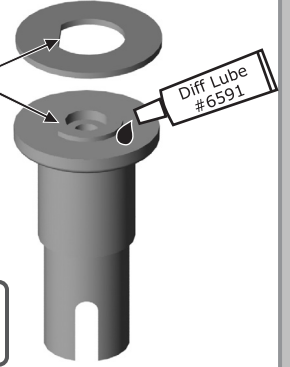


21027, qty 1
diff outdrive (long)



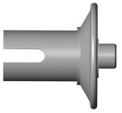
21115, qty 1
diff drive ring

! align
flat spots



! build 2
differentials

▶ Step 2

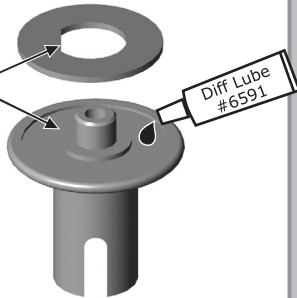


21027, qty 1
diff outdrive (short)



21115, qty 1
diff drive ring

! align
flat spots



▶ Step 3

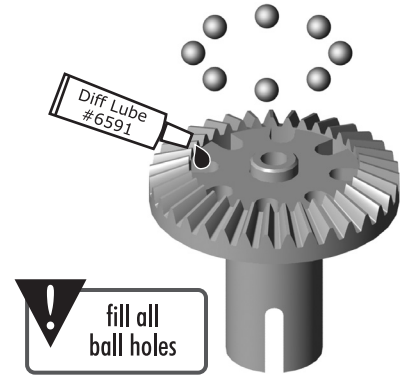


21022, qty 1
diff gear



▶ Step 4

21115, 21116*, qty 8
diff balls, 2mm



! fill all
ball holes

▶ Step 5



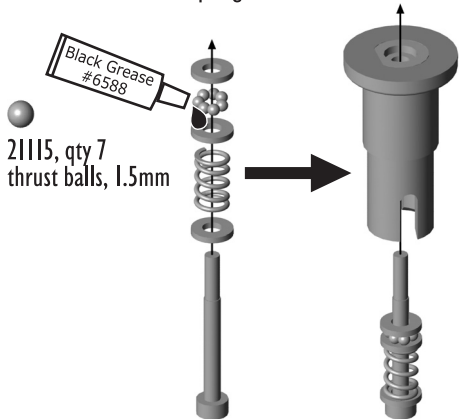
21115, qty 3
thrust washer



21115, qty 1
diff spring

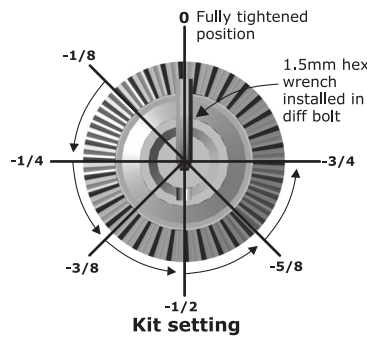
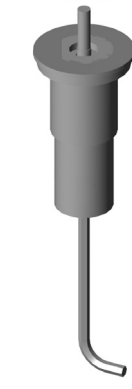


21115, qty 1
diff bolt



21115, qty 7
thrust balls, 1.5mm

▶ Step 6



! Do not over-tighten
diff bolt!

When fully compressed,
set at 1/2 turn out
(see diagram)

▶ Step 7



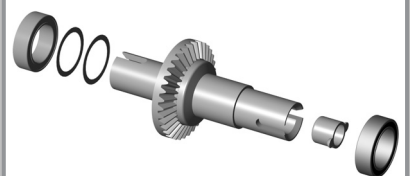
21027, qty 1
dogbone spring cup



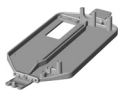
21106, qty 2
8 x 12 x 3.5 bearing



21141, qty 2
18T diff shim



▶ Bag C - Step 1



21001, qty 1
18t chassis



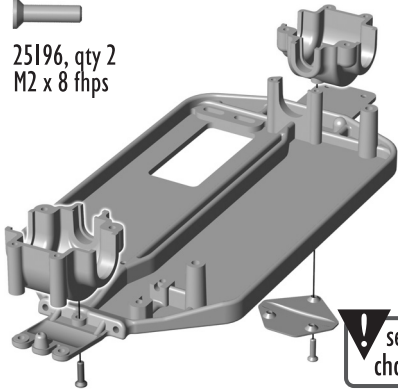
21025, qty 2
18t gearbox cases



21077 55t(T), qty 1
21078 60t(MT), qty 1
gear cover



25196, qty 2
M2 x 8 fhps

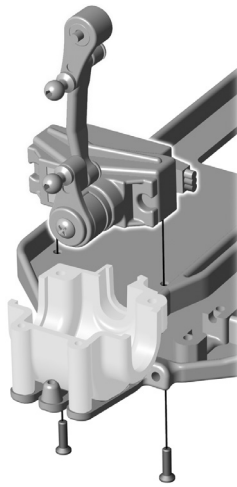


▶ see gearing chart, page 11

▶ Step 2

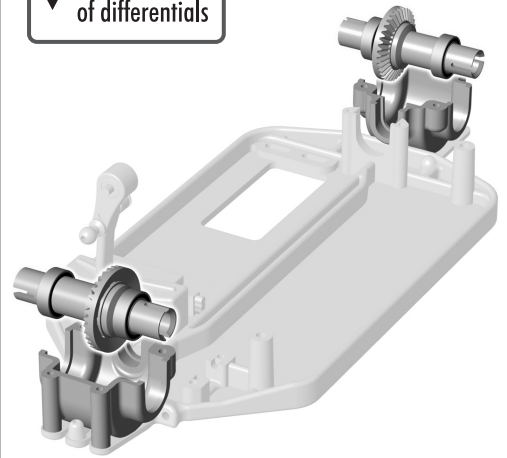


25196, qty 2
M2 x 8 fhps



▶ Step 3

▶ note direction of differentials



▶ Step 4



21033 (T), qty 1
55t spur gear
21035 (MT), qty 1
60t spur gear



21106, qty 1
8 x 12 x 3.5 bearing



▶ Step 5



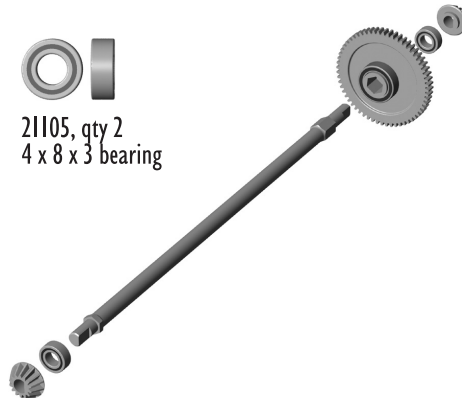
21022, qty 2
input bevel gear



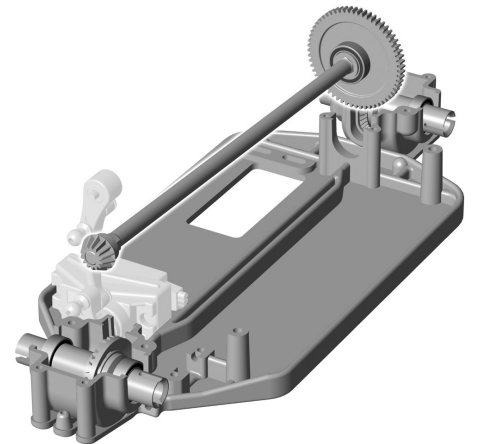
21089, qty 1
main driveshaft



21105, qty 2
4 x 8 x 3 bearing



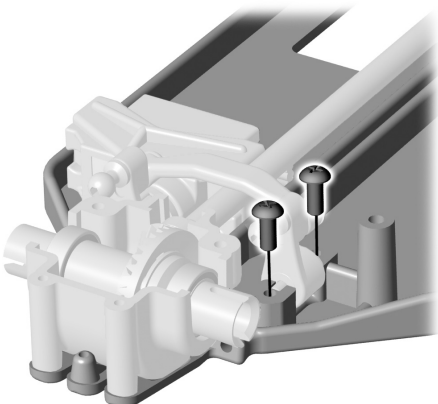
▶ Step 6



▶ Step 7



21133, qty 2
M2.5 x 6 bhps



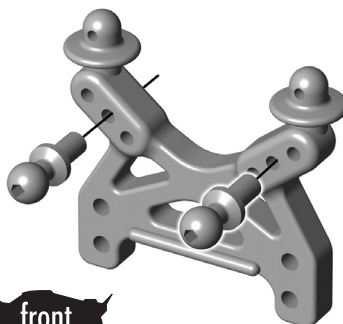
▶ Bag D - Step 1



21017, 21221, qty 1
shock tower, front



21082, qty 2
ballstud, 5mm



front

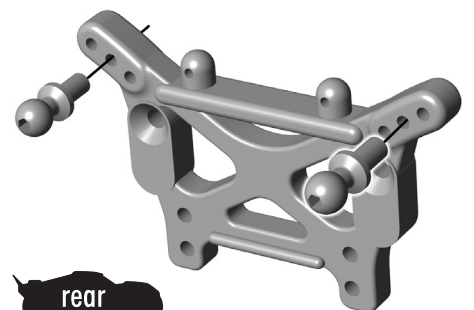
▶ Step 2



21017, 21222, qty 1
shock tower, rear



21082, qty 2
ballstud, 5mm

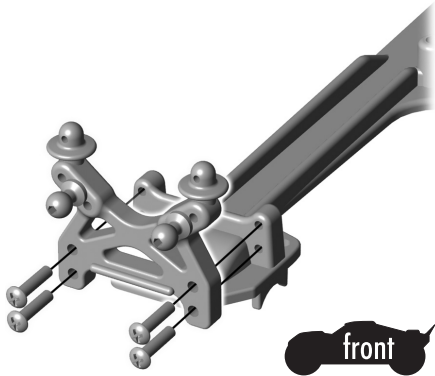


rear

▶ Step 3

21003, qty 1
chassis top plate

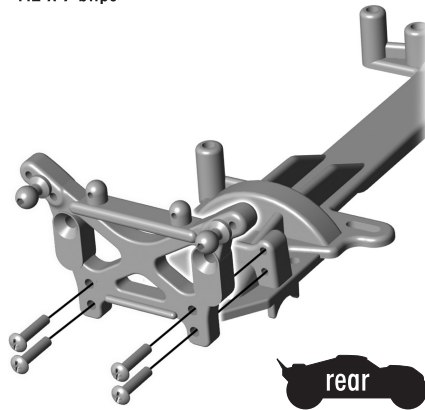
21132, qty 4
M2 x 9 bhps



front

▶ Step 4

21132, qty 4
M2 x 9 bhps

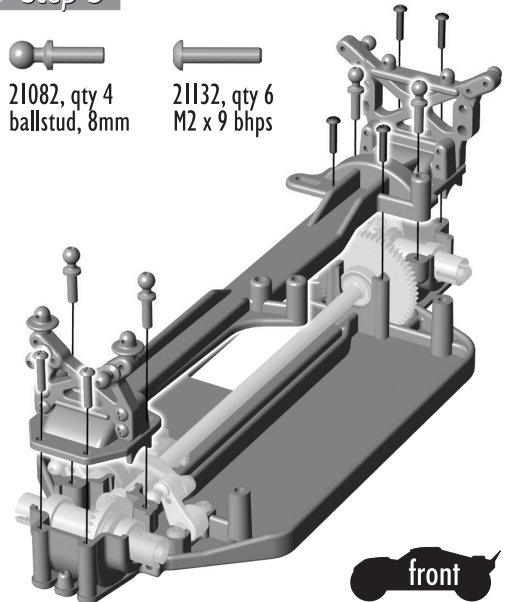


rear

▶ Step 5

21082, qty 4
ballstud, 8mm

21132, qty 6
M2 x 9 bhps

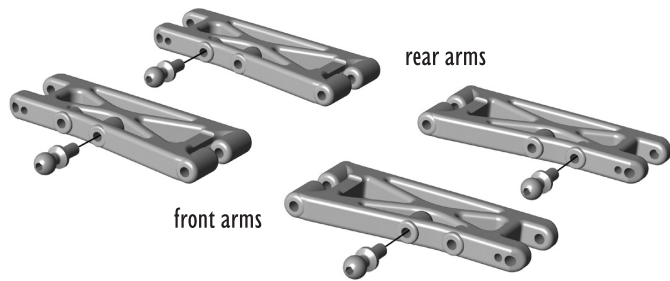


front

▶ Bag E - Step 1

21082, qty 4
ballstud, 5mm

21008, 21220, qty 4
suspension arm

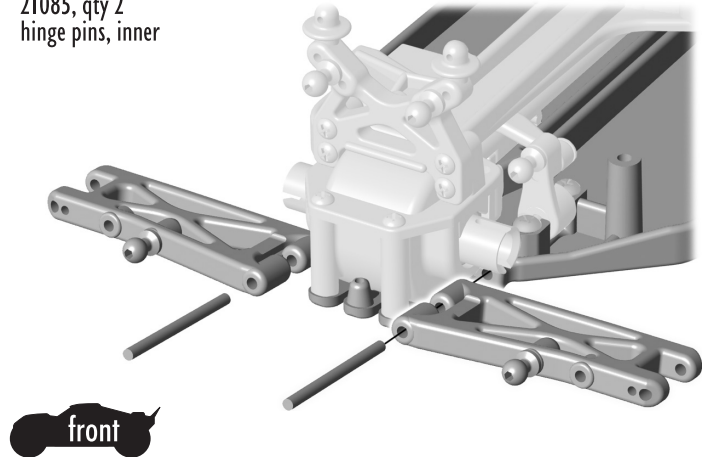


front arms

rear arms

▶ Step 2

21085, qty 2
hinge pins, inner



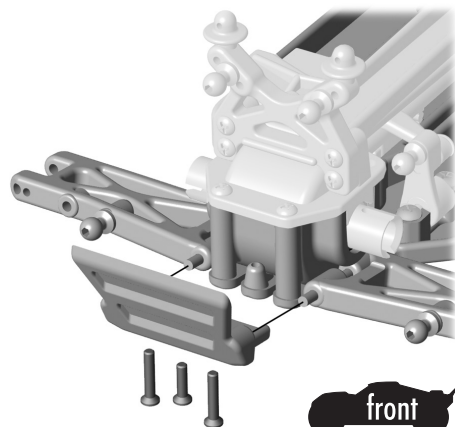
front

▶ Step 3

21005, qty 1
front bumper/arm
mount

21135, qty 2
M2 x 12 fhps

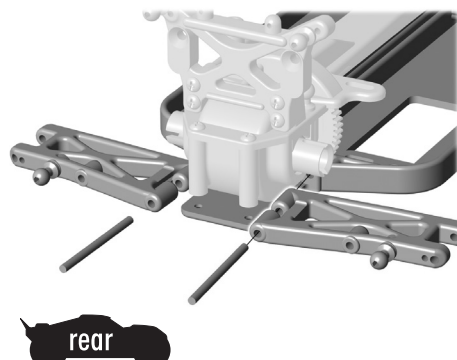
25196, qty 1
M2 x 8 fhps



front

▶ Step 4

21085, qty 2
hinge pins, inner

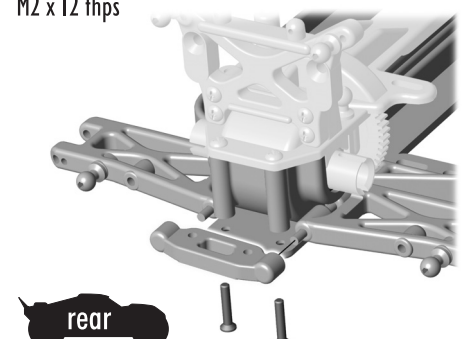
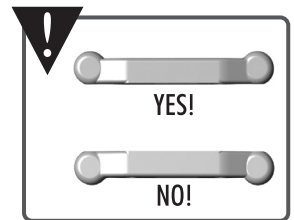


rear

▶ Step 5

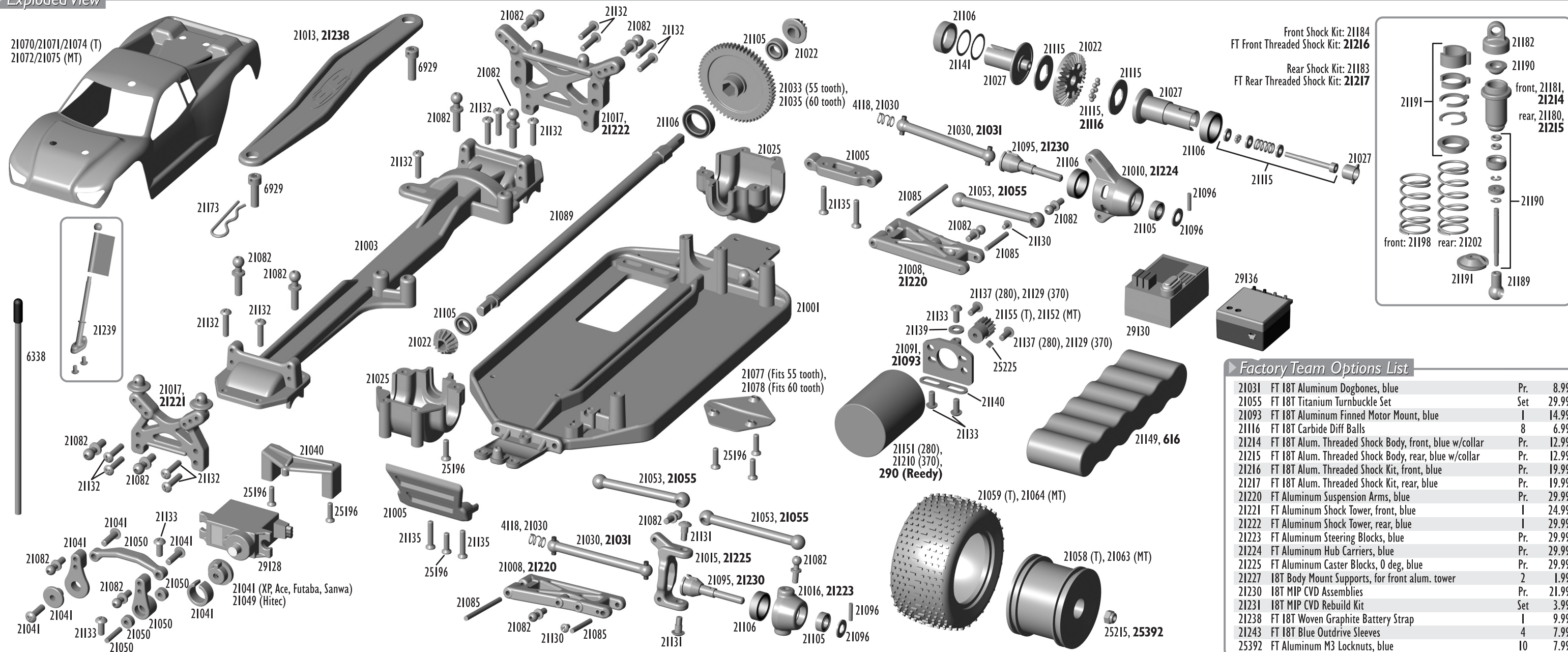
21005, qty 1
rear arm mount

21135, qty 2
M2 x 12 fhps



rear

► Exploded View



► Factory Team Options List

21031	FT 18T Aluminum Dogbones, blue	Pr.	8.99
21055	FT 18T Titanium Turnbuckle Set	Set	29.99
21093	FT 18T Aluminum Finned Motor Mount, blue	1	14.99
21116	FT 18T Carbide Diff Balls	8	6.99
21214	FT 18T Alum. Threaded Shock Body, front, blue w/collar	Pr.	12.99
21215	FT 18T Alum. Threaded Shock Body, rear, blue w/collar	Pr.	12.99
21216	FT 18T Alum. Threaded Shock Kit, front, blue	Pr.	19.99
21217	FT 18T Alum. Threaded Shock Kit, rear, blue	Pr.	19.99
21220	FT Aluminum Suspension Arms, blue	Pr.	29.99
21221	FT Aluminum Shock Tower, front, blue	1	24.99
21222	FT Aluminum Shock Tower, rear, blue	1	29.99
21223	FT Aluminum Steering Blocks, blue	Pr.	29.99
21224	FT Aluminum Hub Carriers, blue	Pr.	29.99
21225	FT Aluminum Caster Blocks, 0 deg, blue	Pr.	29.99
21227	18T Body Mount Supports, for front alum. tower	2	1.99
21230	18T MIP CVD Assemblies	Pr.	21.99
21231	18T MIP CVD Rebuild Kit	Set	3.99
21238	FT 18T Woven Graphite Battery Strap	1	9.99
21243	FT 18T Blue Outdrive Sleeves	4	7.99
25392	FT Aluminum M3 Locknuts, blue	10	7.99

► Parts List

4118	.014 Spring (Dogbone Spring)	Pr.	2.00	21053	18T Suspension Linkage	Set	3.99	21095	18T Stub Axles	2	8.99	21157	Pinion Gear, 11t	1	3.99
6338	Antenna Tube & Cap	1	2.00	21058	18T White Wheels	Pr.	3.99	21096	18T Stub Axle Pins & Spacers	Set	2.99	21173	Body Clips	12	1.99
21001	18T Chassis	1	6.99	21059	18T Mini Pin Tires & Inserts	Pr.	9.99	21105	18T Bearing, 4 x 8 x 3	2	4.50	21180	18T Shock Body, rear	Pr.	2.50
21003	18T Top Plate	1	3.99	21060	18T Wheel/Insert/Tire, white, mounted & glued	Pr.	12.99	21106	18T Bearing, 8 x 12 x 3.5, rubber sealed	2	4.50	21181	18T Shock Body, front	Pr.	2.50
21005	18T Arm Mount, front & rear	Set	2.99	21061	18T Chrome Wheels	Pr.	5.99	21107	18T Bearing Set	Set	27.99	21182	18T Shock Caps	4	3.50
21008	18T Suspension Arm	Pr.	2.99	21062	18T Wheel/Insert/Tire, chrome, mounted & glued	Pr.	14.99	21115	18T Differential Rebuild Kit	1	3.99	21183	18T Shock Kit, rear	Pr.	9.99
21010	18T Rear Hub Carrier	2	2.99	21063	18MT Chrome Wheels	Pr.	7.99	21119	M 3 x 5 BHPS	20	1.99	21184	18T Shock Kit, front	Pr.	9.99
21013	18T Battery Brace, 4 cell, 5/6 cell	Set	3.99	21064	18MT Tires & Inserts	Pr.	10.99	21130	M2 x 3 BHPS	20	2.99	21189	18T Ball Cup, short, for shocks	12	2.99
21015	18T Caster Block, left or right	2	2.99	21065	18MT Wheel/Insert/Tire, chrome, mntd & glued	Pr.	17.99	21131	M2.5 x 3 BHPS	4	2.50	21190	18T Shock Rebuild Kit, rebuilds 4 shocks	Set	9.99
21016	18T Steering Block	2	2.99	21068	18T Foam Tires, mounted, glued	Pr.	13.99	21132	M2 x 9 BHPS	20	2.99	21191	18T Shock Accessories	Set	3.99
21017	18T Shock Towers, front & rear	Pr.	3.99	21069	18T Body Decal Sheet & Window Mask	Set	3.99	21133	M2.5 x 6 BHPS	20	2.99	21197	18T Shock Spring, front, silver, 2.55 lb/in	Pr.	2.50
21022	18T Differential & Input Gear	Set	3.99	21070	18T Painted Body, blue, with decals	1	19.99	21134	M2.5 x 9 BHPS	20	2.99	21198	18T Shock Spring, front, blue, 3.0 lb/in	Pr.	2.50
21024	18T Complete Differential Kit	1	8.99	21071	18T Painted Body, red, with decals	1	19.99	21135	M2 x 12 FHPS	20	2.99	21199	18T Shock Spring, front, gold, 3.45 lb/in	Pr.	2.50
21025	18T Gearbox Cases	2	4.99	21072	18MT Flag Body, with decals	1	17.99	21137	M2.5 x 4 BHPS	20	2.99	21201	18T Shock Spring, rear, silver, 1.64 lb/in	Pr.	2.50
21027	18T Differential Outdrives, long & short	Set	2.99	21074	18T Clear Body, with decals & window mask	1	11.99	21139	M2.5 Washers	20	1.99	21202	18T Shock Shaft, rear, blue, 1.90 lb/in	Pr.	2.50
21030	18T Dogbones & Springs	Set	3.99	21075	18MT Clear Body, with decals & window mask	1	11.99	21140	18T Motor Mount Plate	2	1.99	21203	18T Shock Spring, rear, gold, 2.35 lb/in	Pr.	2.50
21033	18T Spur Gear/Drive Cup, 55t	1	2.99	21076	18MT Decal Sheet & Window Masks	1	3.99	21141	18T Diff Shims	4	1.00	21230	18T MIP CVD Assemblies	Pr.	21.99
21035	18T Spur Gear/Drive Cup, 60t	1	2.99	21077	18T Chassis Gear Cover - 55t	1	1.99	21146	18T Screw Set	Set	6.99	21231	18T MIP CVD Rebuild Kit	1	3.99
21040	18T Servo Mount	1	1.99	21078	19T Chassis Gear Cover - 60t	1	1.99	21152	Pinion Gear, 10t (MT)	1	3.99	21239	18MT Flag Kit	1	6.99
21041	18T Servo Saver, XP, Ace, Futaba, Sanwa	Set	2.99	21082	18T Ballstud Set	Set	8.99	21153	Pinion Gear, 12t	1	3.99	25196	M2 x 8 FHPS	20	2.99
21049	18T Servo Saver, Hitec HS-56	Set	2.99	21085	18T Hingepin Set	Set	2.99	21154	Pinion Gear, 13t	1	3.99	25215	M3 Locknuts	20	4.50
21050	18T Steering Bellcrank Parts	Set	2.99	21089	18T Main Driveshaft	1	6.99	21155	Pinion Gear, 14t (T)	1	3.99	25225	M3 x 3 Set Screws	20	2.99
21052	18T Turnbuckle Set, steel, with ballcaps	Set	7.99	21091	18T Motor Mount	1	3.99	21156	Pinion Gear, 15t	1	3.99				

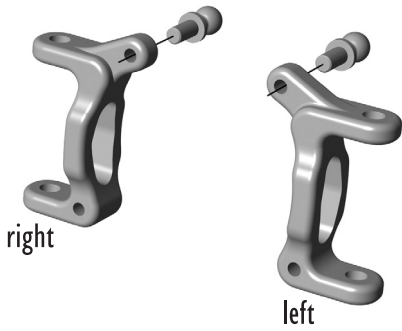
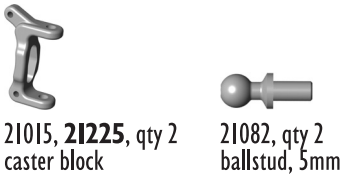
► Power System Parts

290	Reedy Mini-Max Modified Motor	1	44.99
616	Reedy Mini-Max 6 Cell 100mah NiMh Battery	1	42.99
21149	1100mah NiMh 6 Cell Battery Pack	1	24.99
21151	Super 280 Motor	1	9.99
21161	18T 4 Cell Alkaline Battery Harness	1	3.99
21210	Super 370 Motor	1	11.99
29128	XP C1016 Servo	1	29.99
29129	XP C1016 Servo Gear Set	Set	6.99
29130	XP TR203A Receiver	1	39.99
29136	XPS Micro Speed Control	1	79.99
29137	XPS Speed Control Heatsink, blue	1	3.99
29151	AC 110v 120mah 10 Hour Wall Charger	1	9.99
29152	AC 230v 120mah 10 Hour Wall Charger	1	11.99

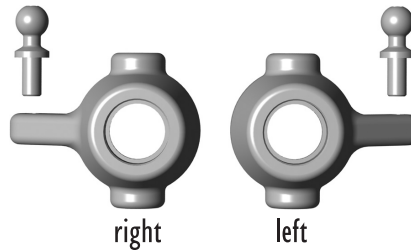
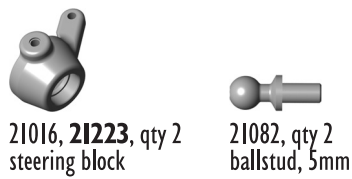
► Kits

20100	18T RTR 4wd Mini Race Truck	1	279.99
20102	18T Factory Team 4wd Mini Truck Kit	1	229.99
20110	18MT RTR 4wd Mini Monster Truck	1	279.99
21240	Factory Billet Full Aluminum Upgrade Kit	Set	199.99

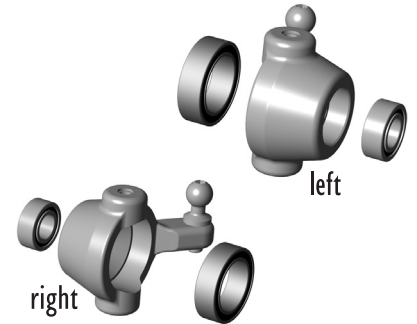
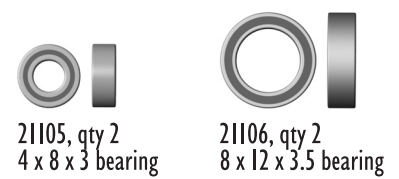
► Bag F - Step 1



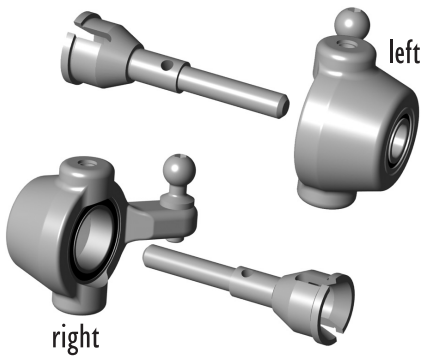
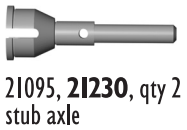
► Step 2



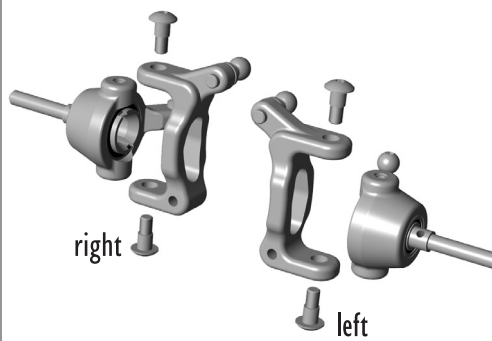
► Step 3



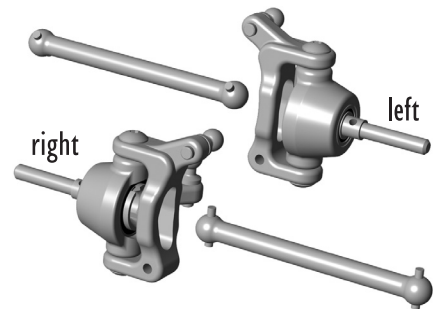
► Step 4



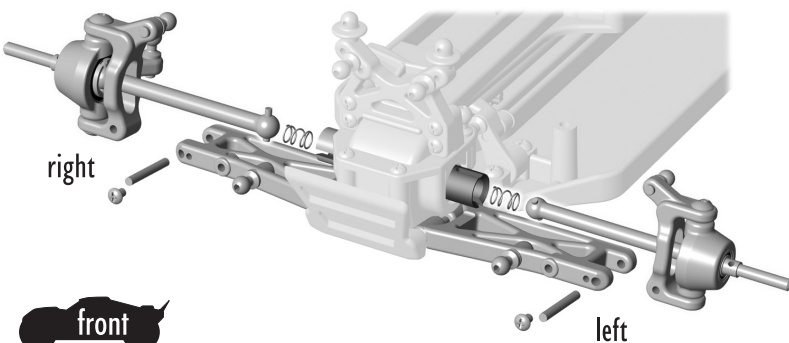
► Step 5



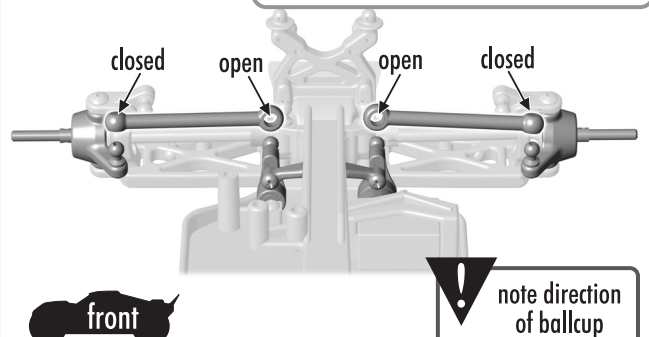
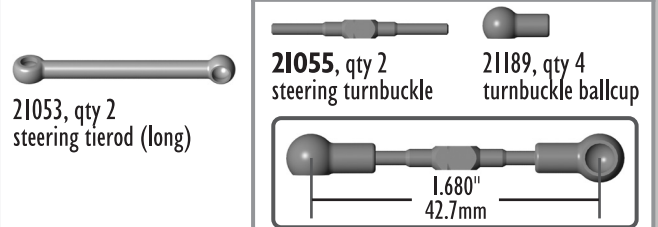
► Step 6



► Step 7



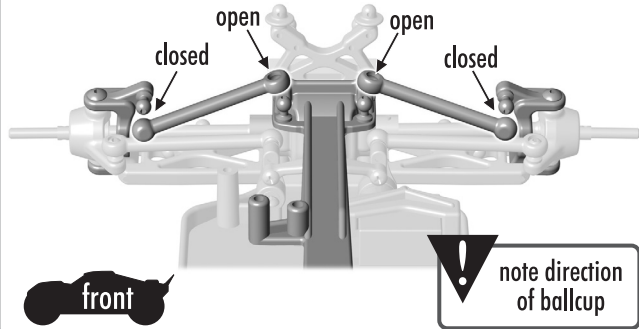
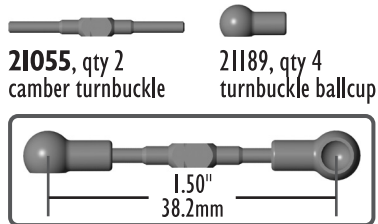
► Step 8



Step 9

21053, qty 2
suspension upper tierod
(short)

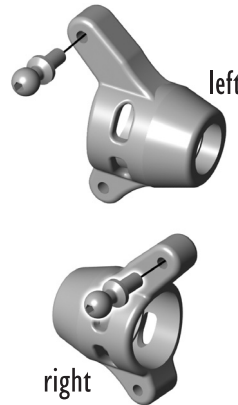
Factory Team Only



Step 10

21010, 21224, qty 2
rear hub carrier

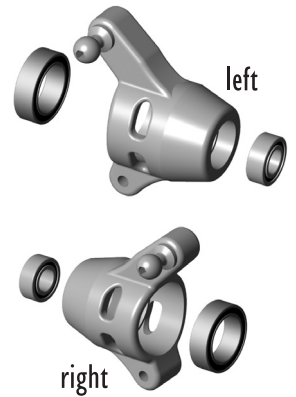
21082, qty 2
ballstud, 5mm



Step 11

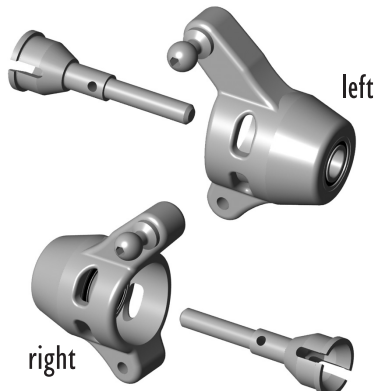
21105, qty 2
4 x 8x 3 bearing

21106, qty 2
8 x 12 x 3.5 bearing



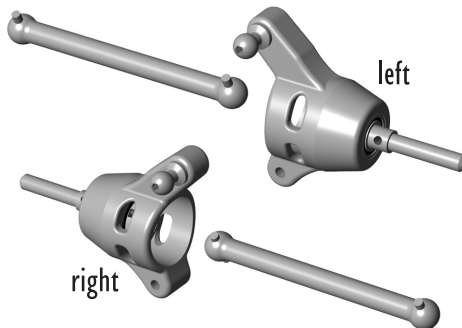
Step 12

21095, 21230, qty 2
stub axle



Step 13

21030, 21031, qty 2
dogbone



Having Problems?

Associated Electric, Inc.
3585 Cadillac Ave.
Costa Mesa, CA 92626 USA

Customer Support

Tel: 714.850.9342
Fax: 714.850.1744

Hours: 8:00am - 4:00pm, pst

<http://www.rc10.com>
<http://www.TeamAssociated.com>

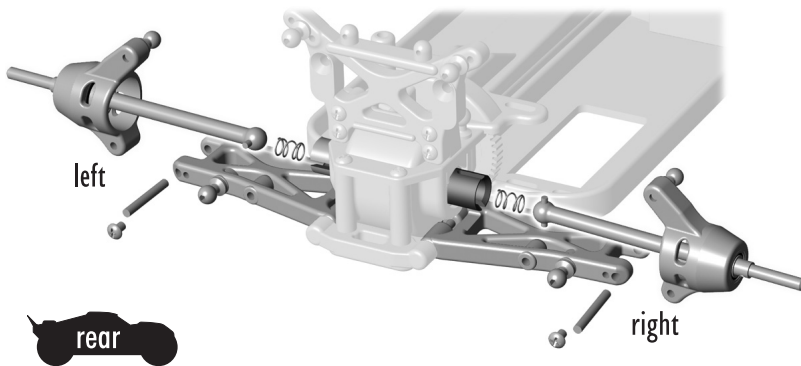


Step 14

21030, qty 2
dogbone spring

21085, qty 2
hinge pins, outer

21130, qty 2
M2 x 3 bhps



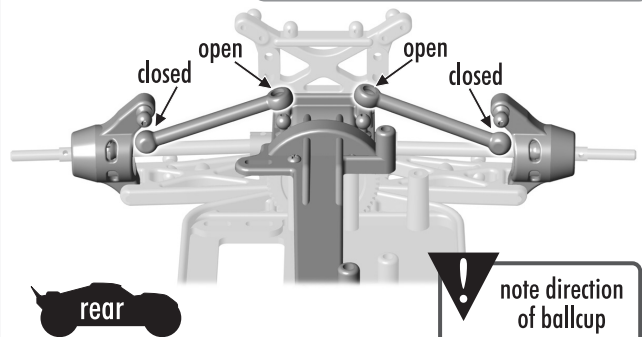
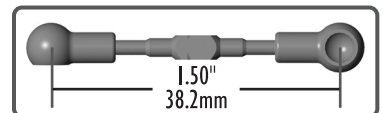
Step 15

21053, qty 2
suspension upper tierod
(short)

Factory Team Only

21055, qty 2
camber turnbuckle

21189, qty 4
turnbuckle ballcup



▶ Bag G - Step 1 Front Shocks



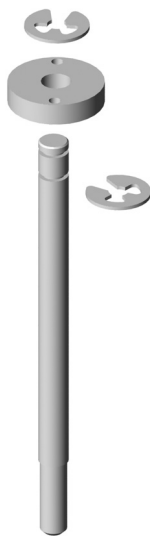
21190, qty 2
e-clip



21190, qty 1
piston



21190, qty 1
front shock shaft (short)



! build 2 shocks

▶ Step 2



21181, 21214, qty 1
front shock body (short)



21190, qty 2
o-ring

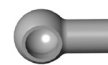


21190, qty 1
shock body seal cap



! cap should 'snap' in place

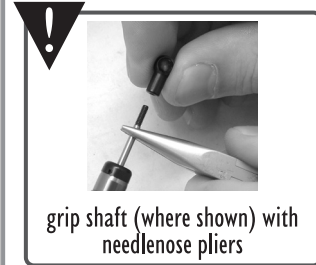
▶ Step 3



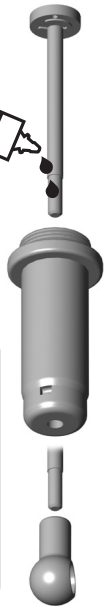
21189, qty 1
ball cup, short



#5422



grip shaft (where shown) with
needlenose pliers



▶ Step 4 Rear Shocks



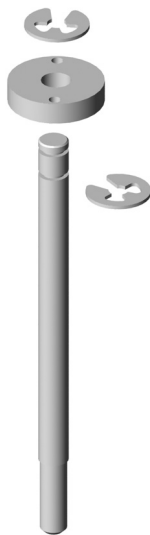
21190, qty 2
e-clip



21190, qty 1
piston



21190, qty 1
rear shock shaft (long)



! build 2 shocks

▶ Step 5



21180, 21215, qty 1
rear shock body (long)



21190, qty 2
o-ring

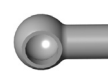


21190, qty 1
shock body seal cap



! cap should 'snap' in place

▶ Step 6



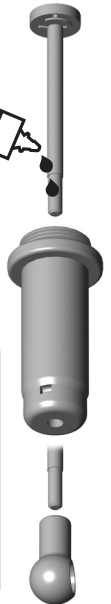
21189, qty 1
ball cup, short



#5422



grip shaft (where shown) with
needlenose pliers



▶ Step 7

fill to top
with oil



#5422



move shaft up & down
to remove
air bubbles



fill to top
with oil



#5422



install bladder



21190, qty 1
shock bladder

retain oil as you
screw the
cap on



21182, qty 1
shock cap

▶ Step 8 Front Shocks



21198, qty 1
front spring, blue, 3.0lb



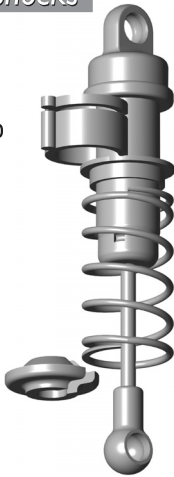
21191, qty 1
upper spring perch



21191, qty 1
lower spring retainer



T & MT - 21191, qty 1 each
ride height clip, 5mm, 2mm



Factory Team Only



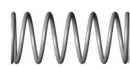
21214, qty 1
threaded shock collar

adjust ride height to 7mm



front

▶ Step 9 Rear Shocks



21202, qty 1
rear spring, blue, 1.9lb



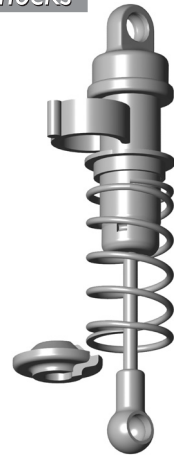
21191, qty 1
upper spring perch



21191, qty 1
lower spring retainer



T - 21191, qty 1
ride height clip, 5mm



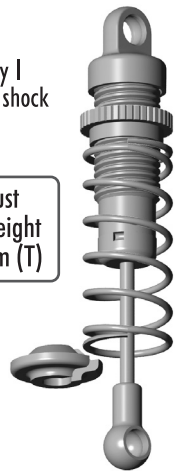
MT - 21191, qty 1 each
ride height clip, 5mm, 2mm, 1 mm

Factory Team Only



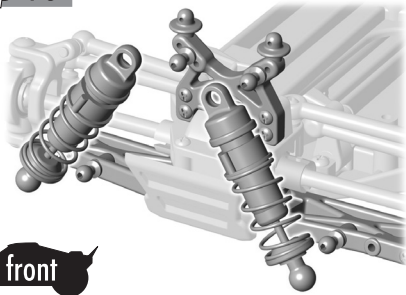
21214, qty 1
threaded shock collar

adjust ride height to 5mm (T)

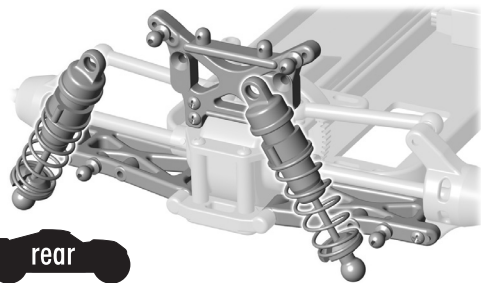


rear

▶ Step 10



front



rear

▶ Bag H - Step 1



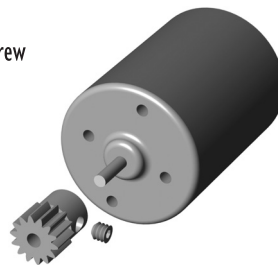
21210, qty 1
super 370 motor



21155 (T), qty 1
14t motor pinion
21152 (MT), qty 1
10t motor pinion



25225, qty 1
M3 x 3 setscrew



refer below for proper gearing for the motor you are using

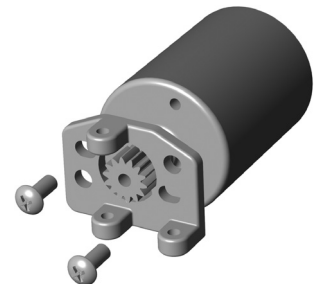
▶ Step 2



21091, 21093, qty 1
motor mount



21129, qty 2
M3 x 5 bhps



assemble using holes that best fit your motor

▶ 18T/MT Gear Chart

Motor	55t Spur	60t Spur	MT 60t Spur
Reedy Mini Max Motor - Large Track	12	13	11
Reedy Mini Max Motor - Short Track	-	12	10
Other Modified 280 Motor - Large Track	13	14	11
Other Modified 280 Motor - Short Track	12	13	10
"Big Block" 370 Size Motor - Large Track	13	14	11
"Big Block" 370 Size Motor - Short Track	12	13	10
Super 280 Motor - Large Track	14	15	-
Super 280 Motor - Short Track	13	14	-

Motor gearing is a starting recommendation only. You may need to adjust your gearing according to your track size.

▶ Step 3



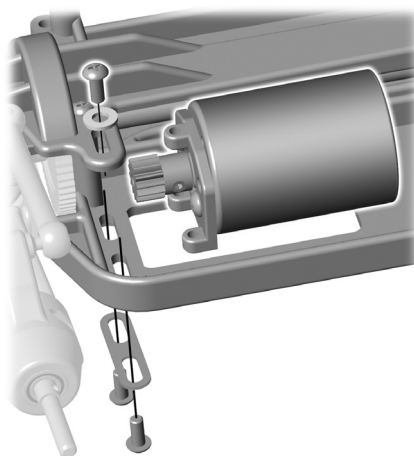
21133, qty 3
M2.5 x 6 bhps



21139, qty 1
M2.5 washer



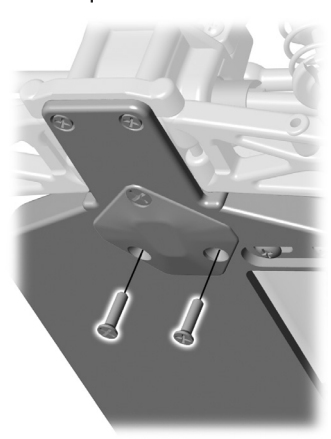
21140, qty 1
motor mount plate



▶ Step 4



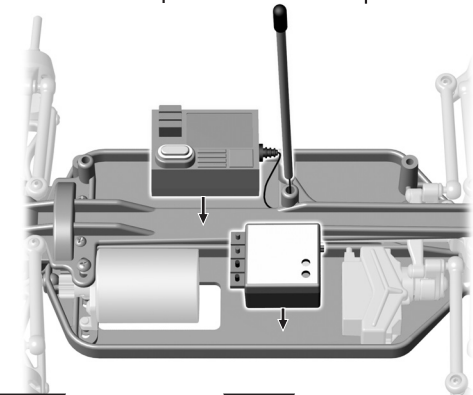
25196, qty 2
M2 x 8 fhps



▶ Step 5

6338, qty 1
antenna tube & cap

6727, qty 1
servo tape

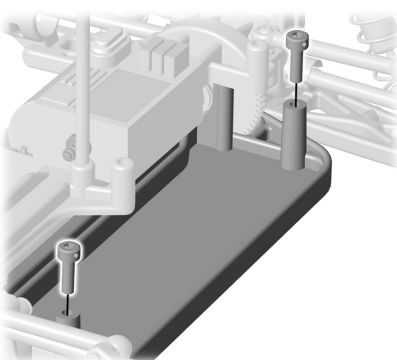


! feed antenna wire as shown

! attach receiver & esc to chassis with servo tape

▶ Step 6

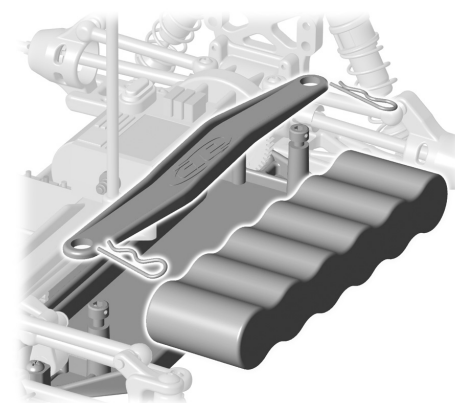
6929, qty 2
4-40 x 3/8" shcs w/hole



▶ Step 7

21013, 21238, qty 1
6 cell battery brace

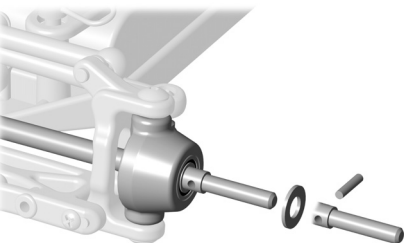
21173, qty 2
body clips



▶ Step 8

21096, qty 1
stub axle pin

21096, qty 1
stub axle spacer



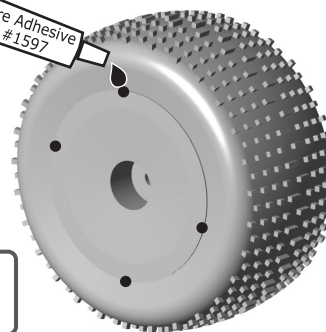
! assemble 4 axles

▶ Step 9

21058, qty 1
18T white wheel

21059, qty 1
18T mini pin tire/insert

Tire Adhesive #1597



! both sides of tires

! **WARNING!**
Follow the adhesive manufacturer's instructions for proper use and safety. Wear eye and hand protection.

▶ Additional Information

For more information about your RC18T/MT, including tuning information, tips & tricks and setup info, visit these web sites:

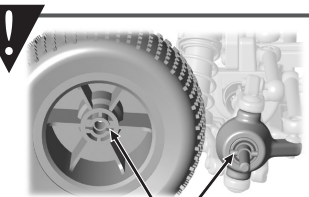
- www.RC10.com
- www.TeamAssociated.com
- www.CompetitionX.com

▶ Step 10

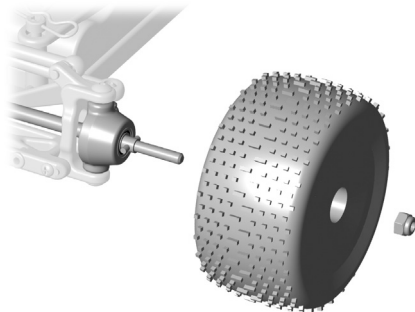
21060, qty 1
18T wheel/tire/insert, mounted

21065, qty 1
18MT wheel/tire/insert, mounted

25215, 25392, qty 1
M3 locknuts



! align
attach 4 wheels



▶ Step 11

21070/21071, 21074, qty 1
18T body, blue/red/clear

21072/21075, qty 1
18MT body, flag design/clear

21173, qty 4
body clips

21239, qty 1
18MT flag kit

! locate into holes in bed of MT body

